

**Class 125 • Non-Rising Stem • Threaded Ends**

Figure 438

**Size Range:**

1/2" through 3"

**Working Pressures Non-Shock:**

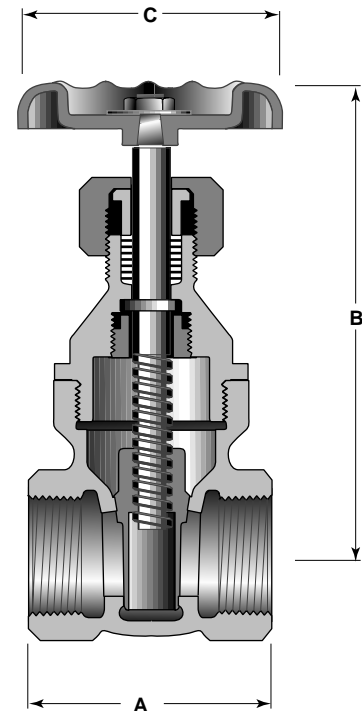
125 psi Steam, Basic Rating

200 psi Cold Working Pressure

**Features**

- Non-Rising Stem
- Screwed Bonnet
- Threaded Ends
- Solid Wedge Disc
- Full Ports
- Integral Bronze Seat
- Back seat
- MSS-SP-80, Type 1

For more detailed features, refer to page 18.



**Principal Parts & Materials**

Part	Size	Material	ASTM
Body & bonnet	All	Bronze	B62 alloy C83600
Disc	All	Bronze	B62 alloy C83600
Stem	1/2"-2"	Bronze	B505 alloy C83600
Stem	2 1/2"-3"	Bronze	B371 alloy C69400

**Dimensions and Weights**

Inches (millimeters) - pounds (kilograms)

	1/2 (15)	3/4 (20)	1 (25)	1 1/4 (32)	1 1/2 (40)	2 (50)	2 1/2 (65)	3 (80)
A	2.02 (51)	2.14 (54)	2.46 (63)	2.77 (70)	2.85 (72)	3.24 (82)	4.20 (107)	4.65 (118)
B	3.23 (82)	4.18 (106)	4.73 (120)	5.62 (143)	6.53 (166)	7.35 (187)	9.20 (234)	10.13 (257)
C	2.06 (52)	2.56 (65)	2.75 (70)	3.08 (78)	3.62 (92)	4.00 (102)	5.22 (133)	5.22 (133)
WTS.	0.7 (0.32)	1.3 (0.56)	1.8 (0.79)	3.0 (1.34)	3.7 (1.66)	5.7 (2.59)	12.4 (5.60)	17.7 (8.00)