

- NOTE :
1. BASIC DESIGN : BS5155, IS05752  
AP1609, MS-SP67
  2. TOP FLANGE : IS05211
  3. HYDRO TEST : CONFIRMS TO AP1598  
BODY : 24 Bar  
SEAT : 17.6 Bar

EMBOSSING	
FRONT	BACK
<b>ST</b>	SIZE
MATERIAL	PRESSURE

< DRILLING >

SIZE	DIN PN 10			DIN PN 16			ANSI 150LBS			
mm	inch	C	n	h	C	n	h	C	n	h
350A	14"	460.0	16	M20	470.0	16	M24	476.0	12	1"
400A	16"	515.0	16	M24	525.0	16	M27	539.5	16	1"
450A	18"	565.0	20	M24	585.0	20	M27	578.0	16	1 1/8"
500A	20"	620.0	20	M24	650.0	20	M30	635.0	20	1 1/8"
600A	24"	725.0	20	M27	770.0	20	M33	749.5	20	1 1/4"

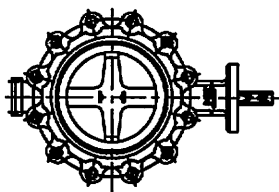
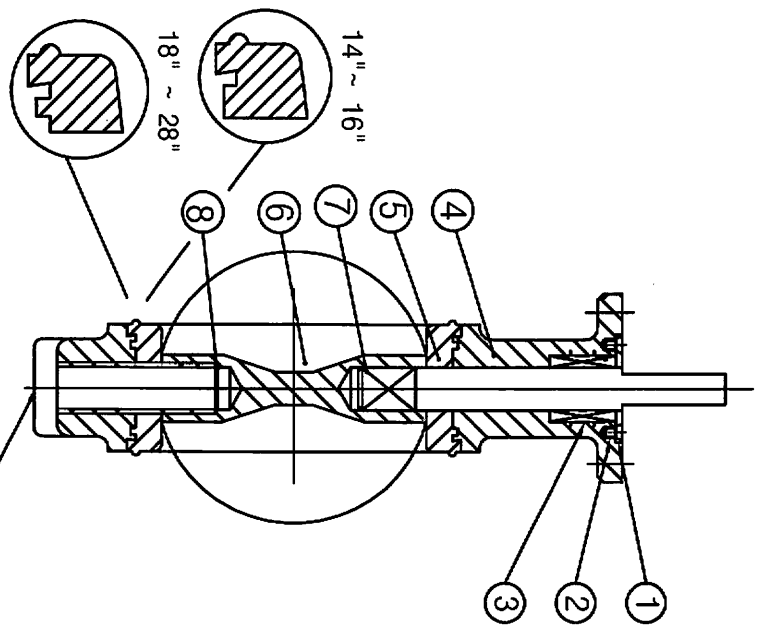
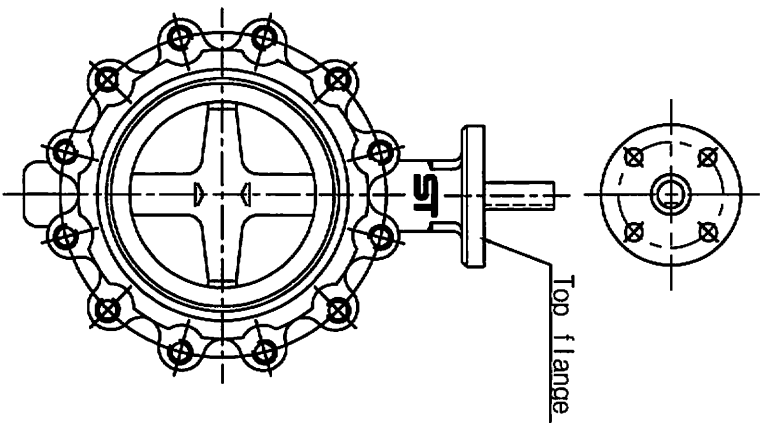
(Unit: mm, inch)

SIZE	TOP FLANGE & STEM											OUT LINE DIMENSION							
	mm	inch	D	P	Q	R	S	T	U	V	W	REMARKS	L	d	H1	H2	E	A	B
350A	14"	28	20	102	4	12	10	125	71.5	5	F10	78.0	330.0	264.5	345.5	410	126.0	326.0	
400A	16"	32	23	140	4	18	10	175	80	5	F14	102.0	379.0	298.5	349.5	468	138.5	376.5	
450A	18"	38	23	140	4	18	12	175	80	5	F14	114.0	437.0	350.0	400.0	527	161.5	434.0	
500A	20"	45	23	165	4	22	12	210	90	5	F16	127.0	490.0	380.0	440.0	578	181.5	486.0	
600A	24"	55	23	165	4	22	14	210	95	5	F16	154.0	574.5	440.0	510.0	680	210.3	570.5	

(Unit: mm, inch)

# STONETOWN CORP.

DATE	04.08.27	NAME	LUGGED TYPE, LARGE BORE BUTTERFLY VALVE (DIMENSION TABLE)
SCALE	NONE		
APP. BY	CHK. BY	DMG. BY	REV. NO
			3
DMG. NO	V-B-LG-000B		



SIZE 16" ~ 40"

EMBOSSING	
FRONT	BACK
<b>ST</b>	SIZE
MATERIAL	PRESSURE

- NOTE :
1. BASIC DESIGN : BS5155, ISO5752  
API609, MS-SP67
  2. TOP FLANGE : ISO5211
  3. HYDRO TEST : CONFIRMS TO API598  
BODY : 24 Bar  
SEAT : 17.6 Bar

NO	DESCRIPTION	MATERIAL	Q'TY	STANDARD	REMARKS
1	Retainer Plate	SS41	1	JIS G 3101	Galvanized
2	Retainer Plate Screw	SS41	2	JIS G 3101	Galvanized
3	Packing	EPDM	1	MAKER	
4	Body	CAST IRON / EN-GJL-250	1	ASTM A126 / EN 1561	
5	Seat	DUCTILE IRON / GG640	1	ASTM A536 / DIN 1693	
6	Disc	DUCTILE IRON / GG640	1	ASTM A536 / DIN 1693	Galvanized
7	Upper Stem	CF8M	1	ASTM A351	
		ALUMINIUM BRONZE	1	JIS H 5114 ALBC2	
		SUS410	1	ASTM A276	
		SUS304	1	ASTM A276	
		SUS316	1	ASTM A276	
8	Lower Stem	SUS410	1	ASTM A276	
		SUS304	1	ASTM A276	
		SUS316	1	ASTM A276	
9	Plug	SS41	1	JIS G 3101	

**STONETOWN CORP.**

DATE	05.08.22	NAME		MODEL	STL
SCALE	NONE			LUGGED TYPE, LARGE BORE BUTTERFLY VALVE (MATERIAL TABLE)	
APP. BY	CHK. BY	DNWG. BY	REV. NO	DNWG. NO	
			2		V-B-LG-00M - 2/2