

SIZE	TOP FLANGE & STEM	OUT LINE DIMENSION [MM]
mm	D P Q R S T U V	L d H1 H2 E A B
inch	D P Q R S T U V	L d H1 H2 E A B
125A	5" 19 16 70 4 4 9 14 90 17.7	56.0 124.1 123.0 185.0 180 34.5 122.0
150A	6" 22 16 70 4 4 9 17 90 19.0	56.0 149.3 143.0 203.0 208 47.3 148.0

(Unit: mm, inch)

< DRILLING >

SIZE	PN 10	PN 16	ANSI 150LB
mm	c n h	c n h	c n h
inch	c n h	c n h	c n h
125A	210.0 8 M16	210.0 8 M16	215.9 8 3/4"
150A	240.0 8 M20	240.0 8 M20	241.3 8 3/4"

(Unit: mm, inch)

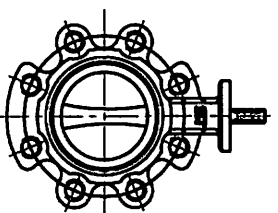
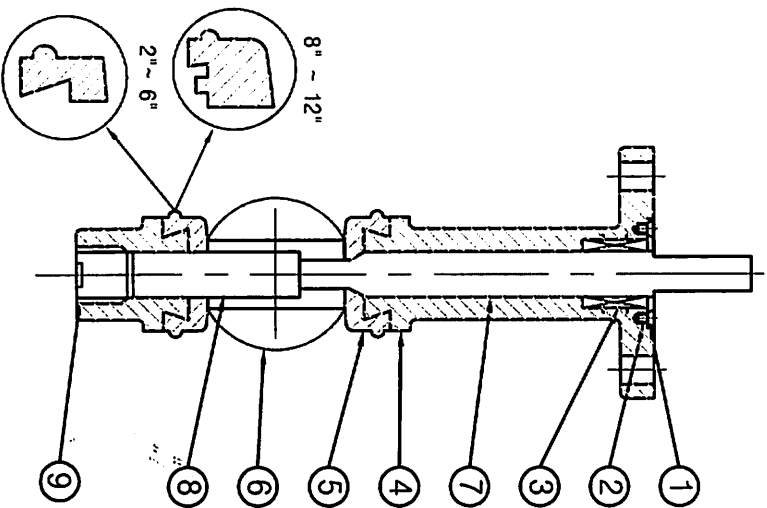
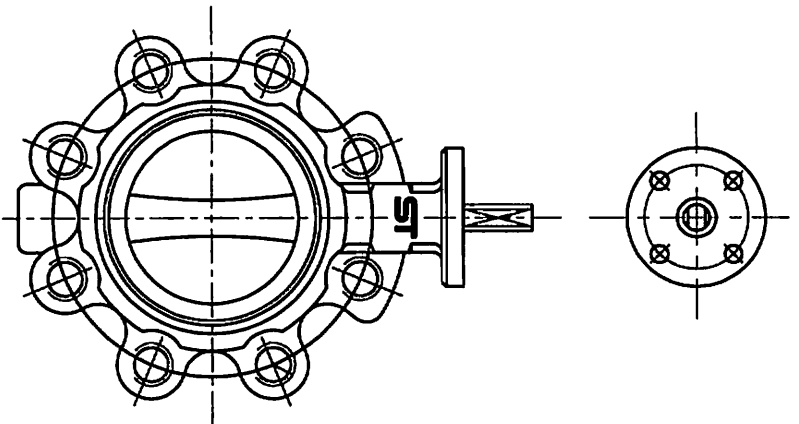
FRONT	BACK
<b>ST</b>	SIZE
MATERIAL	PRESSURE

EMBROSSING

- NOTE :
1. BASIC DESIGN : BS 5155, 1S05752, API609, MS-SP67
  2. TOP FLANGE : 1S05211
  3. HYDRO. TEST  
BODY : 24 Bar  
SEAT : 17.6 Bar

**STONETOWN CORP.**

DATE	05.12.29	NAME	LUGGED TYPE PINLESS BUTTERFLY VALVE SQUARE STEM (DIMENSION TABLE)
SCALE	NONE	MODEL	STL
APP.BY	CHK.BY	DMG.BY	REV.NO
			5
DMG.NO	V-B-LG-000B		



EMBOSSING	
FRONT	BACK
<b>ST</b>	SIZE
MATERIAL	PRESSURE

Size 10" - 12"

- NOTE :
1. BASIC DESIGN : BS5155, IS05752  
API 609, MS-SP67
  2. TOP FLANGE : IS05211
  3. HYDRO. TEST  
BODY : 24 Bar  
SEAT : 17.6 Bar

NO	DESCRIPTION	MATERIAL	Q'TY	STANDARD	REMARKS
1	Retainer Plate	SS41	1	JIS G 3101	Galvanized
2	Retainer Plate Screw	SS41	2	JIS G 3101	Galvanized
3	Packing	EPDM	1	MAKER	
4	Body	CAST IRON / EN-GJL-250 DUCTILE IRON / GG250	1	ASTM A126 / EN 1561 ASTM A536 / DIN 1693	
5	Seat	EPDM NBR SILICON VITON	1	MAKER MAKER MAKER MAKER	
6	Disc	DUCTILE IRON / GG240	1	ASTM A536 / DIN 1693	Galvanized
		CF8	1	ASTM A351	
		CF8M	1	ASTM A351	
		ALUMINIUM BRONZE	1	JIS H 5114 ALBC2	
7	Upper Stem	SUS410	1	ASTM A276	
		SUS304	1	ASTM A276	
		SUS316	1	ASTM A276	
8	Lower Stem	SUS410	1	ASTM A276	
		SUS304	1	ASTM A276	
		SUS316	1	ASTM A276	
9	Plug	SS41	1	JIS G 3101	

**STONETOWN CORP.**

DATE	05.08.22	NAME	MODEL	SIL
SCALE	NONE			
APP.BY	CHK.BY	DMG.BY	REV.NO	5
			DMG.NO	V-B-LG-00M
				- 1/2

STS-080

STONETOWN