

- NOTE :
1. BASIC DESIGN : BS5155, IS05752  
API609, MS-SP67
  2. TOP FLANGE : IS05211
  3. HYDRO TEST  
BODY : 24 Bar  
SEAT : 17.6 Bar

|           |          |
|-----------|----------|
| EMBOSSING |          |
| FRONT     | BACK     |
| <b>ST</b> | SIZE     |
| MATERIAL  | PRESSURE |

| SIZE | JIS 5K |       |    |      | JIS 10K |    |      |      |
|------|--------|-------|----|------|---------|----|------|------|
|      | mm     | inch  | C  | n    | h       | C  | n    | h    |
| 350A | 14"    | 435.0 | 12 | 25.0 | 445.0   | 16 | 25.0 | 25.0 |
| 400A | 16"    | 495.0 | 16 | 25.0 | 510.0   | 16 | 27.0 | 27.0 |
| 450A | 18"    | 555.0 | 16 | 25.0 | 565.0   | 20 | 27.0 | 27.0 |
| 500A | 20"    | 605.0 | 20 | 25.0 | 620.0   | 20 | 27.0 | 27.0 |
| 600A | 24"    | 715.0 | 20 | 27.0 | 730.0   | 24 | 33.0 | 33.0 |

(Unit: mm, inch)

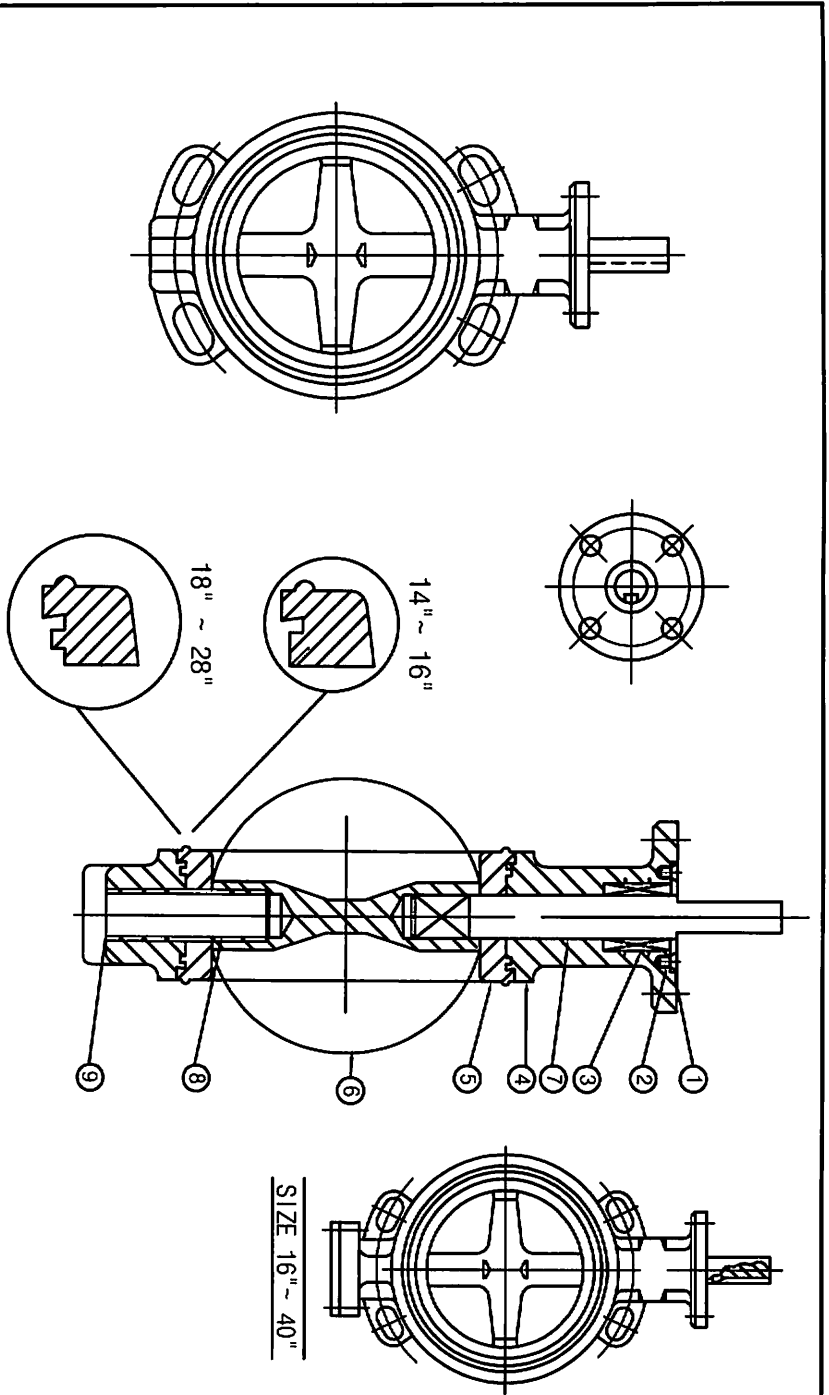
(Unit: mm, inch)

| TOP FLANGE & STEM |     |      |    |     |   |    |    |     |      |   |     |         | OUT LINE DIMENSION |       |       |     |       |       |   |
|-------------------|-----|------|----|-----|---|----|----|-----|------|---|-----|---------|--------------------|-------|-------|-----|-------|-------|---|
| SIZE              | mm  | inch | D  | P   | Q | R  | S  | T   | U    | V | W   | REMARKS | L                  | d     | H1    | H2  | E     | A     | B |
| 350A              | 14" | 28   | 20 | 102 | 4 | 12 | 10 | 125 | 71.5 | 5 | F10 | 78.0    | 330.0              | 264.5 | 345.5 | 415 | 126.0 | 326.0 | 0 |
| 400A              | 16" | 32   | 23 | 140 | 4 | 18 | 10 | 175 | 80   | 5 | F14 | 102.0   | 379.0              | 305.5 | 349.5 | 462 | 138.5 | 376.5 | 5 |
| 450A              | 18" | 38   | 23 | 140 | 4 | 18 | 12 | 175 | 80   | 5 | F14 | 114.0   | 437.0              | 350.0 | 400.0 | 527 | 161.5 | 434.0 | 0 |
| 500A              | 20" | 45   | 23 | 165 | 4 | 22 | 12 | 210 | 90   | 5 | F16 | 127.0   | 490.0              | 380.0 | 440.0 | 578 | 181.5 | 486.0 | 0 |
| 600A              | 24" | 55   | 23 | 165 | 4 | 22 | 14 | 210 | 95   | 5 | F16 | 154.0   | 574.5              | 440.0 | 510.0 | 680 | 210.3 | 570.5 | 5 |

# STONETOWN CORP.

|         |          |         |         |              |
|---------|----------|---------|---------|--------------|
| DATE    | 04.08.27 | NAME    | MODEL   | STC          |
| SCALE   | NONE     |         |         |              |
| APP. BY | CHK. BY  | DWG. BY | REV. NO | DWG. NO      |
|         |          |         | 3       | V-B-WFC-000B |

COMMON TYPE WAFER BUTTERFLY VALVE LARGE BORE ASSEMBLING DRAWING (DIMENSION TABLE)



- NOTE :
1. BASIC DESIGN : BS5155, IS05752  
AP1609, MS-SP67
  2. TOP FLANGE : IS05211
  3. HYDRO TEST  
BODY : 24 Bar  
SEAT : 17.6 Bar

EMBOSSING

|           |          |
|-----------|----------|
| FRONT     | BACK     |
| <b>ST</b> | SIZE     |
| MATERIAL  | PRESSURE |

| NO | DESCRIPTION          | MATERIAL                                      | Q'TY | STANDARD                                    | REMARKS       |
|----|----------------------|---|------|---|---------------|
| 1  | Retainer Plate       | SS41  | 1    | JIS G 3101                                  | Galvanized    |
| 2  | Retainer Plate Screw | SS41  | 2    | JIS G 3101                                  | Galvanized    |
| 3  | Packing              | EPDM  | 1    | MAKER                                       |               |
| 4  | Body                 | CAST IRON / EN-GJL-250<br>DUCTILE IRON / GG40 | 1    | ASTM A126 / EN 1561<br>ASTM A536 / DIN 1693 |               |
| 5  | Seat                 | EPDM<br>NBR<br>SILICON<br>VITON               | 1    | MAKER<br>MAKER<br>MAKER<br>MAKER            |               |
| 6  | Disc                 | DUCTILE IRON / GG40                           | 1    | ASTM A536 / DIN 1693                        | Chrome Plated |
|    |                      | CF8   | 1    | ASTM A351                                   |               |
|    |                      | CF8M  | 1    | ASTM A351                                   |               |
|    |                      | ALUMINIUM BRONZE                              | 1    | JIS H 5114 ALBC2                            |               |
|    |                      | SUS410  | 1    | ASTM A276                                   |               |
|    |                      | SUS304  | 1    | ASTM A276                                   |               |
|    |                      | SUS316  | 1    | ASTM A276                                   |               |
| 7  | Upper Stem           | SUS410  | 1    | ASTM A276                                   |               |
|    |                      | SUS304  | 1    | ASTM A276                                   |               |
|    |                      | SUS316  | 1    | ASTM A276                                   |               |
| 8  | Lower Stem           | SUS304  | 1    | ASTM A276                                   |               |
|    |                      | SUS316  | 1    | ASTM A276                                   |               |
| 9  | Plug                 | SS41  | 1    | JIS G 3101                                  |               |

**STONETOWN CORP.**

|       |          |        |  |
|-------|----------|--------|--|
| DATE  | 05.08.22 | NAME   | COMMON TYPE WAFER BUTTERFLY VALVE LARGE BORE ASSEMBLING DRAWING (MATERIAL TABLE) |
| SCALE | NONE     | APP.BY | CHK.BY   |
|       |          | DWG.BY | REVANO   |
|       |          |        | 2  |
|       |          | MODEL  | STC  |
|       |          | DMC.NO | V-B-WFC-00M  |

- 3/3

STS-080

STONETOWN