

NOTE :

1. BASIC DESIGN : BS 5155, IS05752,
API609, MS-SP67

2. TOP FLANGE : IS05211

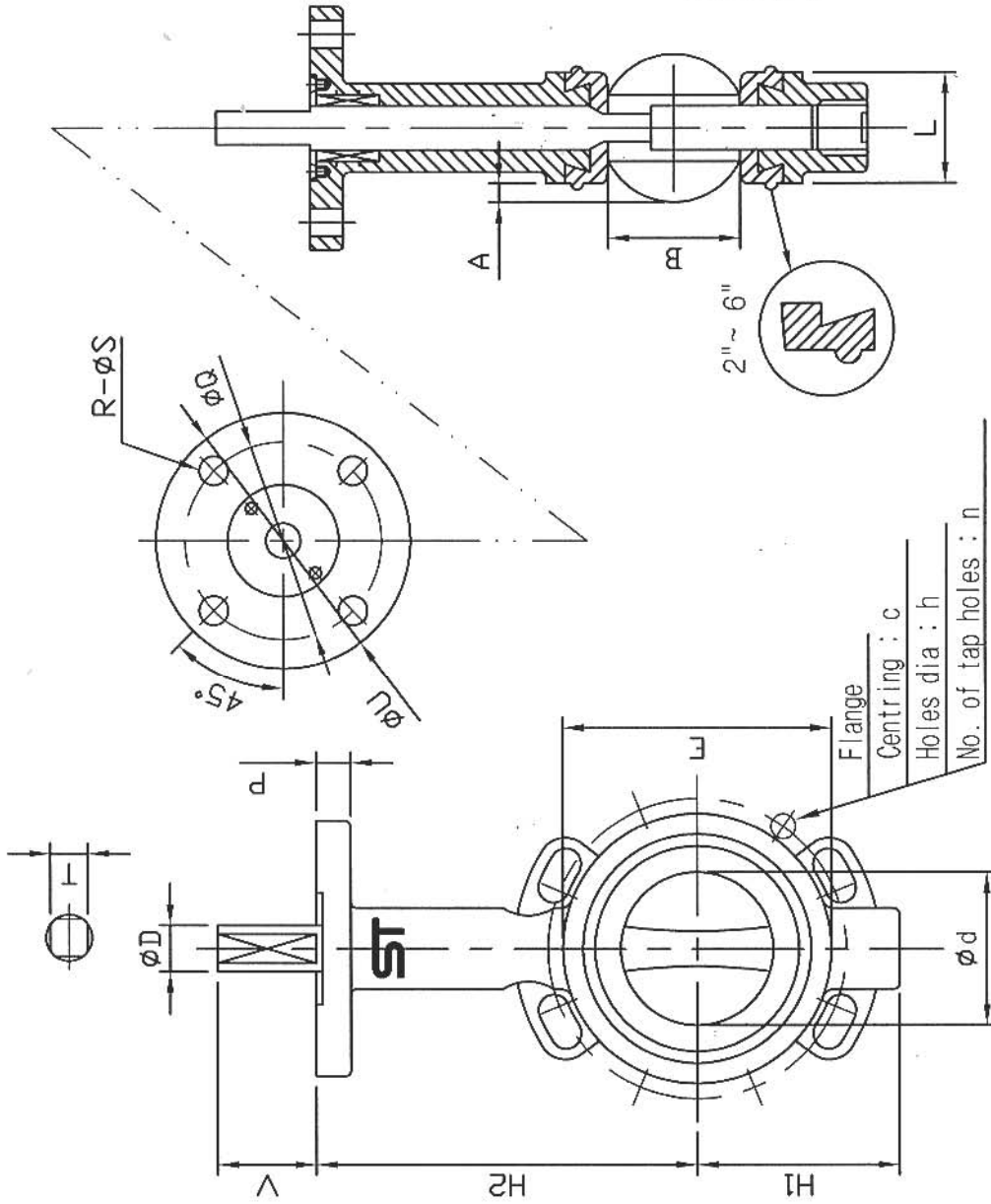
3. HYDRO. TEST

BODY : 24 Bar

SEAT : 17.6 Bar

EMBOSSING

FRONT	BACK
ST	SIZE
MATERIAL	150
	PN16
	10K



< DRILLING > (Unit:mm, inch)

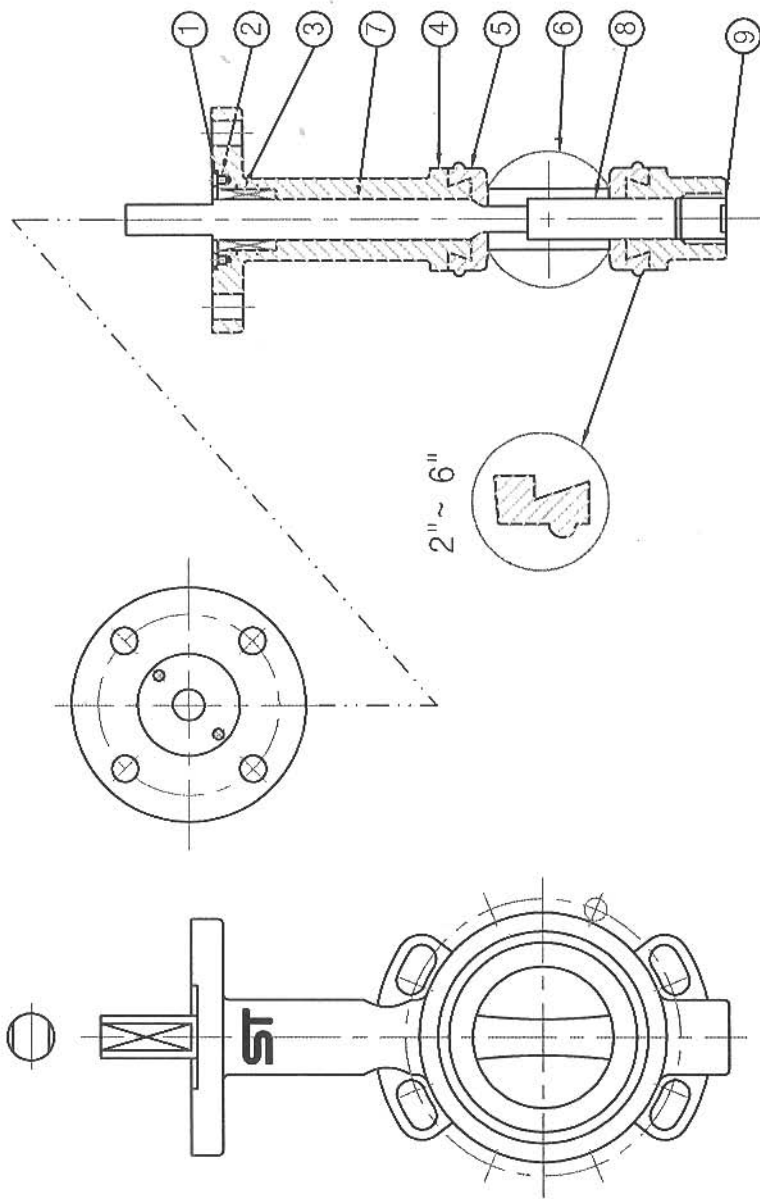
SIZE	PN 10		PN 16		ANSI 150LB	
inch	C	h	C	h	C	h
125A 5"	210.0	8	18.0	210.0	8	18.0
150A 6"	240.0	8	22.0	240.0	8	22.0

STONETOWN CORP.

DATE	05.12.29	MODEL	STC
SCALE	NONE	NAME	COMMON TYPE WAFER PINLESS BUTTERFLY VALVE SQUARE STEM ASSEMBLING DRAWING (DIMENSION TABLE)
APP.BY	CHK.BY	DWG.BY	REV.NO
			5
		DWG.NO	V-B-WFC-000B
			- 2/8

(Unit:mm, inch)

SIZE	TOP FLANGE & STEM							OUT LINE DIMENSION [MM]								
	D	P	Q	R	S	T	U	V	REMARKS	L	d	H1	H2	E	A	B
mm	19	16	70	4	9	14	90	17.7	F07	56.0	124.1	123.0	190.5	173	34.5	122.0
125A 5"	22	16	70	4	9	17	90	19.0	F07	56.0	149.3	143.0	206.5	202	47.3	148.0



NOTE :
 1. BASIC DESIGN : BS 5155, IS05752, API609, MS-SP67
 2. TOP FLANGE : IS05211
 3. HYDRO. TEST
 BODY : 24 Bar
 SEAT : 17.6 Bar

EMBOSSING	
FRONT	BACK
ST	SIZE
MATERIAL	150
	PN16
	10K

NO	DESCRIPTION	MATERIAL	Q'TY	STANDARD	REMARKS
1	Retainer Plate	SS41	1	JIS G 3101	Galvanized
2	Retainer Plate Screw	SS41	2	JIS G 3101	Galvanized
3	Packing	EPDM	1	MAKER	
4	Body	CAST IRON / EN-GJL-250	1	ASTM A126 / EN-1561	
		DUCTILE IRON / GG640	1	ASTM A536 / DIN 1683	
5	Seat	EPDM	1	MAKER	
		NBR	1	MAKER	
		SILICON	1	MAKER	
		VITON	1	MAKER	
6	Disc	DUCTILE IRON / GG640	1	ASTM A536 / DIN 1683	Galvanized
		CF8	1	ASTM A351	
		CF8M	1	ASTM A351	
		ALUMINIUM BRONZE	1	JIS H 5114-ALBC2	
7	Upper Stem	SUS410	1	ASTM A276	
		SUS304	1	ASTM A276	
		SUS316	1	ASTM A276	
8	Lower Stem	SUS410	1	ASTM A276	
		SUS304	1	ASTM A276	
		SUS316	1	ASTM A276	
9	Plug	SS41	1	JIS G 3101	

STONETOWN CORP.		DATE	05.08.22	MODEL	STC
		SCALE	NONE	NAME	COMMON TYPE WAFER PINLESS BUTTERFLY VALVE ASSEMBLING DRAWING (MATERIAL TABLE)
APP.BY	CHK.BY	DWG.BY	REV.NO	DWG.NO	
			6	V-B-WFC-00M	- 1/3