

NOTE :

1. BASIC DESIGN : BS 5155, IS05752,
API 609, MS-SP67

2. TOP FLANGE : IS05211

3. HYDRO. TEST

BODY : 24 Bar
SEAT : 17.6 Bar

EMBOSSING

FRONT	BACK
ST	SIZE 150
MATERIAL	PN16 10K

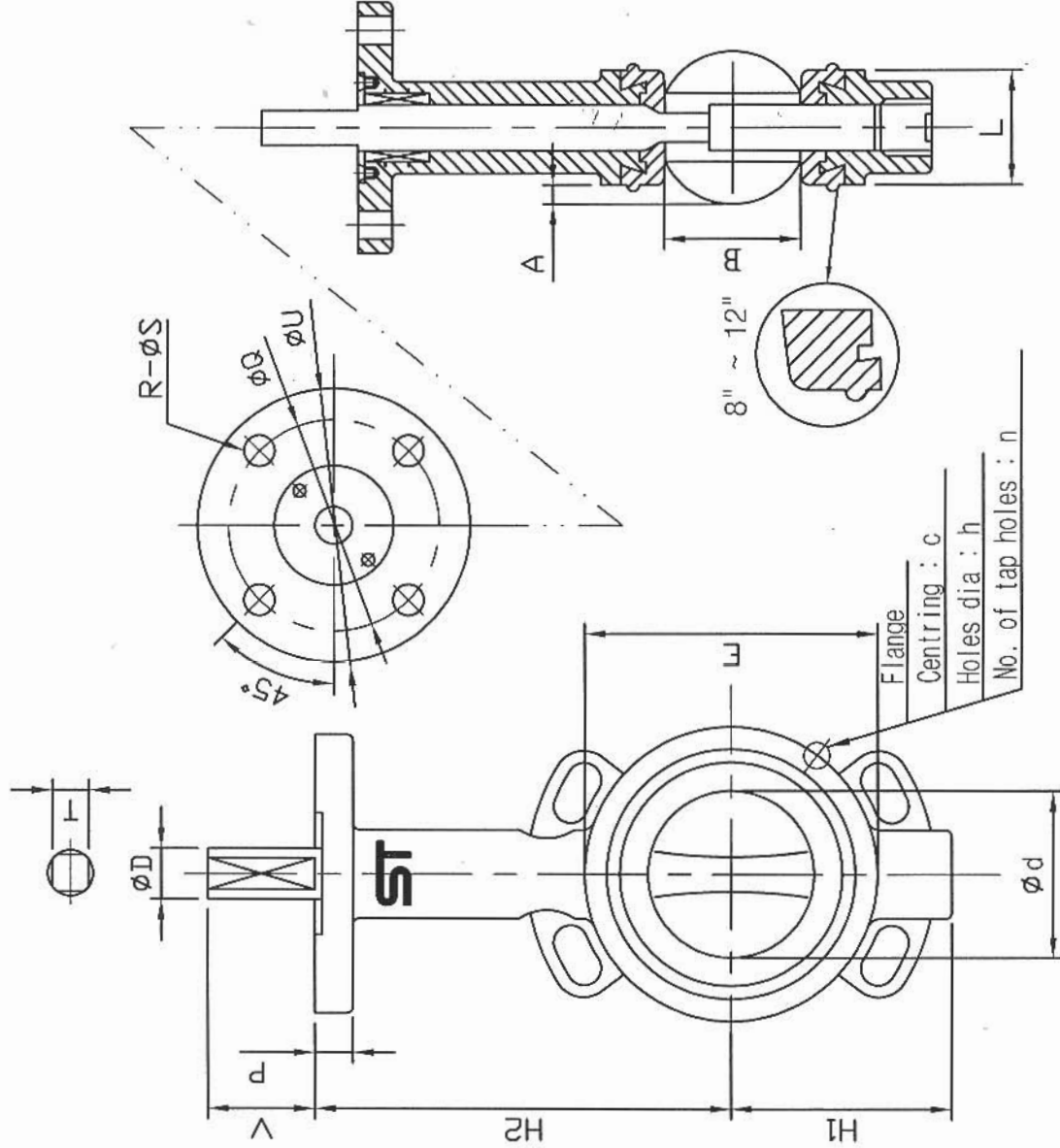
< DRILLING >

(Unit: mm, inch)

SIZE	PN 10			PN 16			ANSI 150LB				
	mm	inch	C	n	h	C	n	h	C	n	h
200A	8"	295.0	8	22.0	295.0	12	22.0	298.5	8	22.0	22.0
250A	10"	350.0	12	22.0	355.0	12	26.0	362.0	12	25.0	25.0
300A	12"	400.0	12	22.0	410.0	12	26.0	431.8	12	25.0	25.0

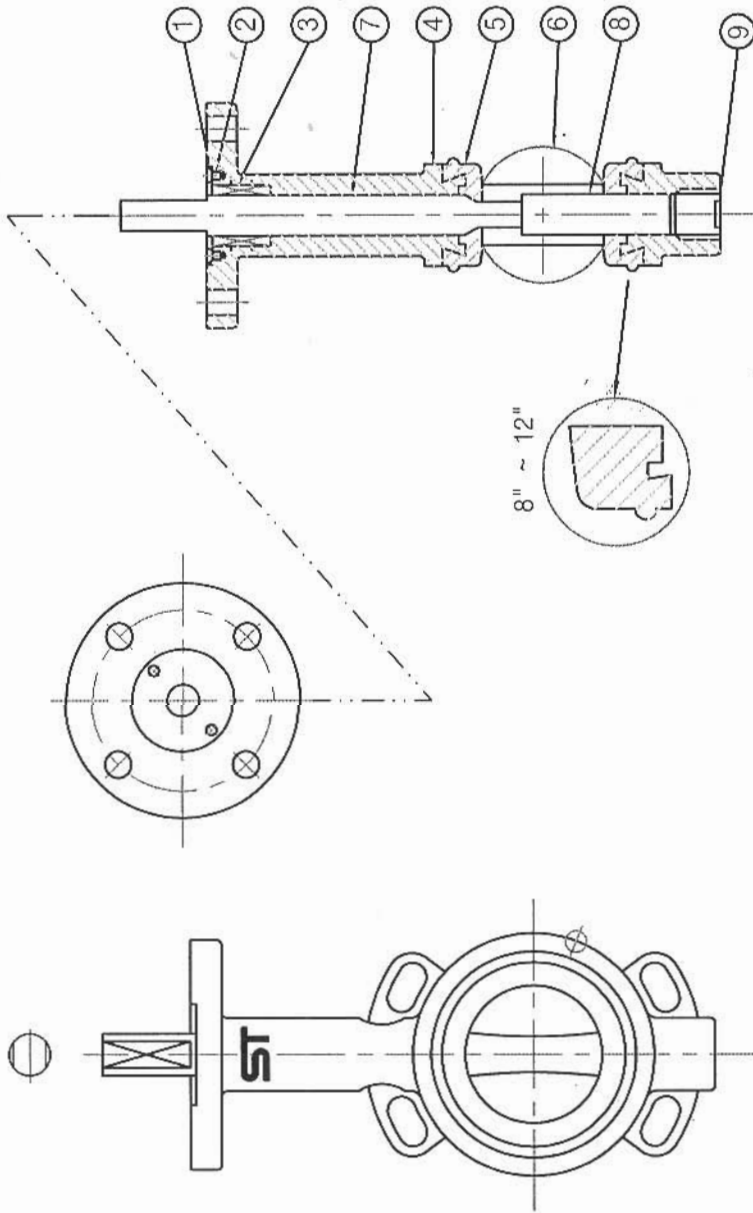
STONETOWN CORP.

DATE	05.12.29	MODEL	STC
SCALE	NONE	NAME	COMMON TYPE WAFER PINLESS BUTTERFLY VALVE SQUARE STEM ASSEMBLING DRAWING (DIMENSION TABLE)
APP.BY	CHK.BY	DWG.BY	REV.NO
			5
		DWG.NO	V-B-WFC-000B
			- 3/8



(Unit: mm, inch)

SIZE	TOP FLANGE & STEM										OUT LINE DIMENSION [MM]									
	D	P	Q	R	S	T	U	V	REMARKS	L	d	H1	H2	E	A	B				
200A	22	17	70	4	9	17	90	20.5	F07	60.0	194.8	168.0	240.0	251.0	68.3	193.5				
250A	28	20	102	4	12	22	125	20.5	F10	68.0	247.0	203.0	266.0	318.0	89.5	245.0				
300A	28	20	102	4	12	22	125	24.1	F10	78.0	295.5	242.0	313.0	362.0	108.8	293.0				



NOTE :

1. BASIC DESIGN : BS 5155, IS05752, API609, MS-SP67
2. TOP FLANGE : IS05211
3. HYDRO. TEST
BODY : 24 Bar
SEAT : 17.6 Bar

EMBOSSING

FRONT	BACK
ST	SIZE
MATERIAL	150 PN16 10K

NO	DESCRIPTION	MATERIAL	Q'TY	STANDARD	REMARKS
1	Retainer Plate	SS41	1	JIS G 3101	Galvanized
2	Retainer Plate Screw	SS41	2	JIS G 3101	Galvanized
3	Packing	EPDM	1	MAKER	
4	Body	CAST IRON / EN-GJL-250 DUCTILE IRON / GG40	1	ASTM A126 / EN 1561 ASTM A536 / DIN 1693	
5	Seat	EPDM NBR SILICON VITON	1	MAKER MAKER MAKER MAKER	
6	Disc	DUCTILE IRON / GG40 CF8 CF8M	1	ASTM A536 / DIN 1693 ASTM A351 ASTM A351	Galvanized
7	Upper Stem	ALUMINIUM BRONZE SUS410 SUS304 SUS316	1	JIS H 5114 ALBC2 ASTM A276 ASTM A276 ASTM A276	
8	Lower Stem	SUS410 SUS304 SUS316	1	ASTM A276 ASTM A276 ASTM A276	
9	Plug	SS41	1	JIS G 3101	

STONETOWN CORP.

DATE	05.08.22	MODEL	STC
SCALE	NONE	NAME	COMMON TYPE WAFER PINLESS BUTTERFLY VALVE ASSEMBLING DRAWING (MATERIAL TABLE)
APP.BY	CHK.BY	DWG.BY	REV.NO
			2
		DWG.NO	V-B-WFC-00M - 2/3